

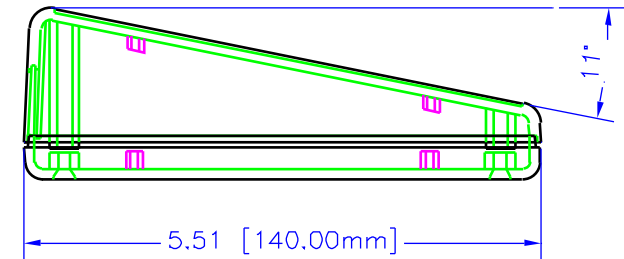
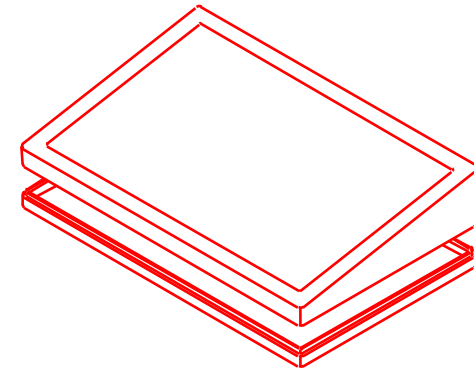
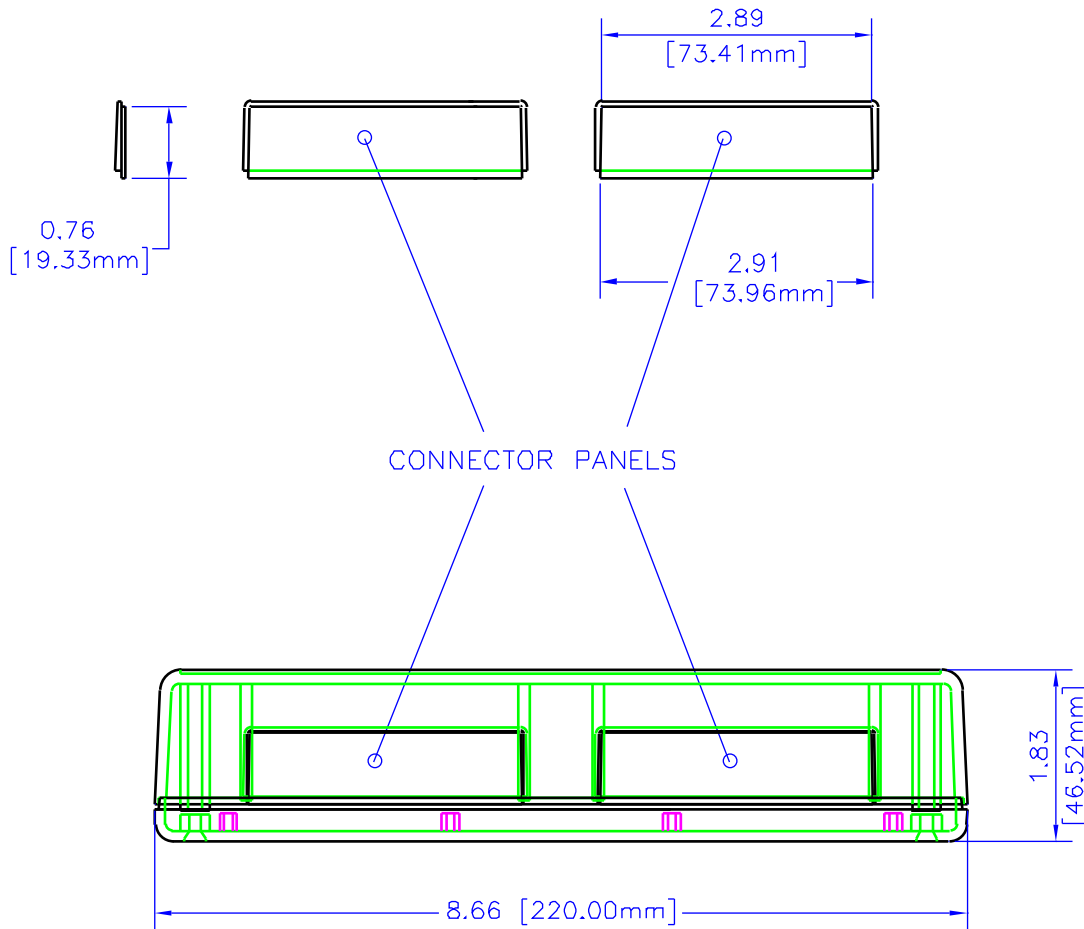
REV	DESCRIPTION	DATE

## NOTES

**MATERIAL** (ABS) FLAME RETARDANT UL94 V0 MATERIAL WITH BRASS INSERTS IN CORNER POSTS.  
(STYRENE) IS NON-FLAME RETARDANT WITHOUT BRASS INSERTS.

**PARTS** (ABS) VERSION MACHINE SCREWS M3-0,5 x 10mm, REPLACEMENT PN 1591MS100 (100 / BAG), (STYRENE) VERSION SELF TAPPING #4 x 0,5", REPLACEMENT PN 1591TS100 (100 / BAG).

**COLORS** (ABS) BLACK, & GRAY, (STYRENE) GRAY ONLY.



## ASSEMBLEI

UNLESS OTHERWISE SPECIFIED  
DIMENSIONS ARE IN INCHES

X	+/- .1
XX	+/- .02
XXX	+/- .015
CUTS	+/- .005
ANGLES	+/- .5 DEG

**NOTICE**  
HAMILTON PLANS PROPRIETARY RIGHTS TO THE MATERIAL ON THIS DRAWING. IT IS INTENDED TO BE USED AS A REFERENCE FOR ENGINEERING INFORMATION ONLY. THIS INFORMATION MAY NOT BE USED TO MANUFACTURE PRODUCT WITHOUT WRITTEN PERMISSION FROM HAMILTON MANUFACTURING.

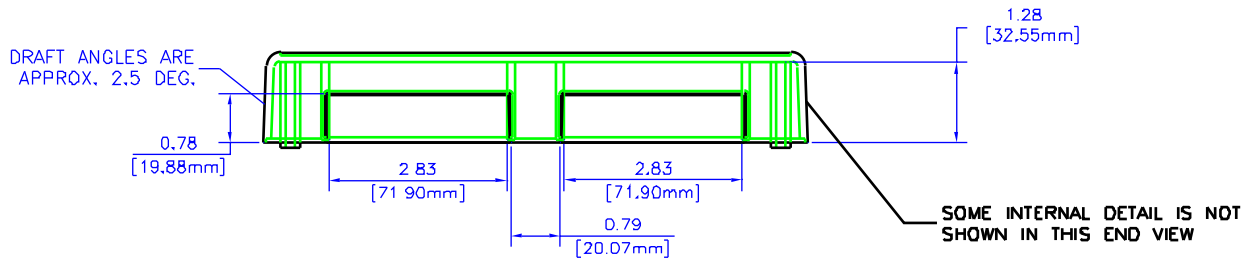


**HAMMOND  
MANUFACTURING**

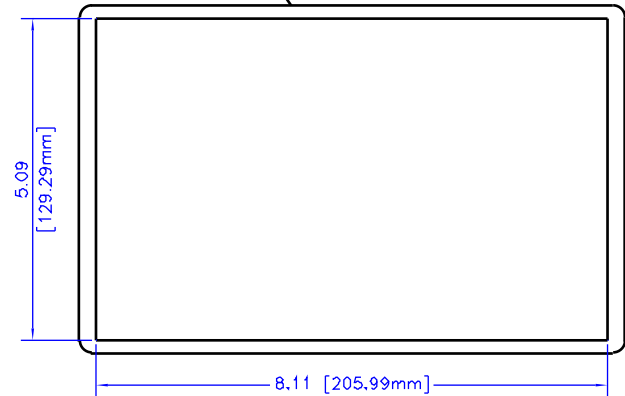
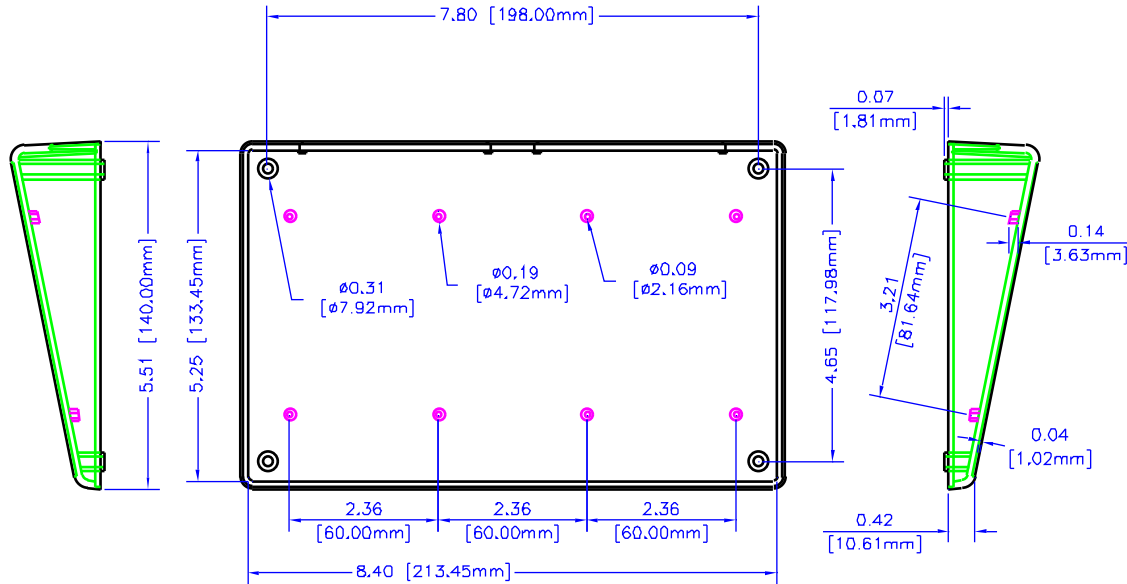
WEB: [WWW.HAMMONDMFG.COM](http://WWW.HAMMONDMFG.COM)

TITLE		HAMMOND 1599 SERIES SLOPED CONSOLE	
DRAWN BY	MJM	DATE	07/03/01
SCALE		PAGE	1 OF 3
PART NUMBER	1599KTS		

# NOTES



INTERNAL DETAIL IS NOT SHOWN IN THIS VIEW. FACE IS SHOWN FLAT (NOT ANGLED)



**BOX**

INTERNAL DETAIL IS NOT SHOWN IN THIS END VIEW

UNLESS OTHERWISE SPECIFIED  
DIMENSIONS ARE IN INCHES.

X	+/- .1
XX	+/- .02
XXX	+/- .015
CUTS	+/- .005
ANGLES	+/- Δ DEG.

FINISHES

HAMMOND CLAIMS PROPRIETARY RIGHTS TO THE MATERIAL ON THIS DRAWING. IF IT INTENDS TO BE USED AS A REFERENCE FOR EXACTING INFORMATION ONLY, THIS INFORMATION MAY NOT BE USED TO MANUFACTURE PRODUCT WITHOUT WRITTEN PERMISSION FROM HAMMOND MANUFACTURING.

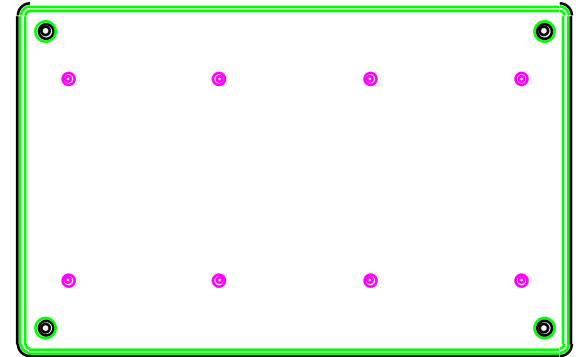
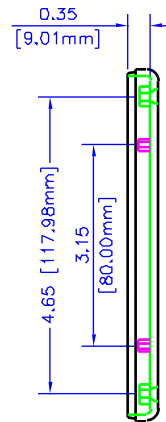
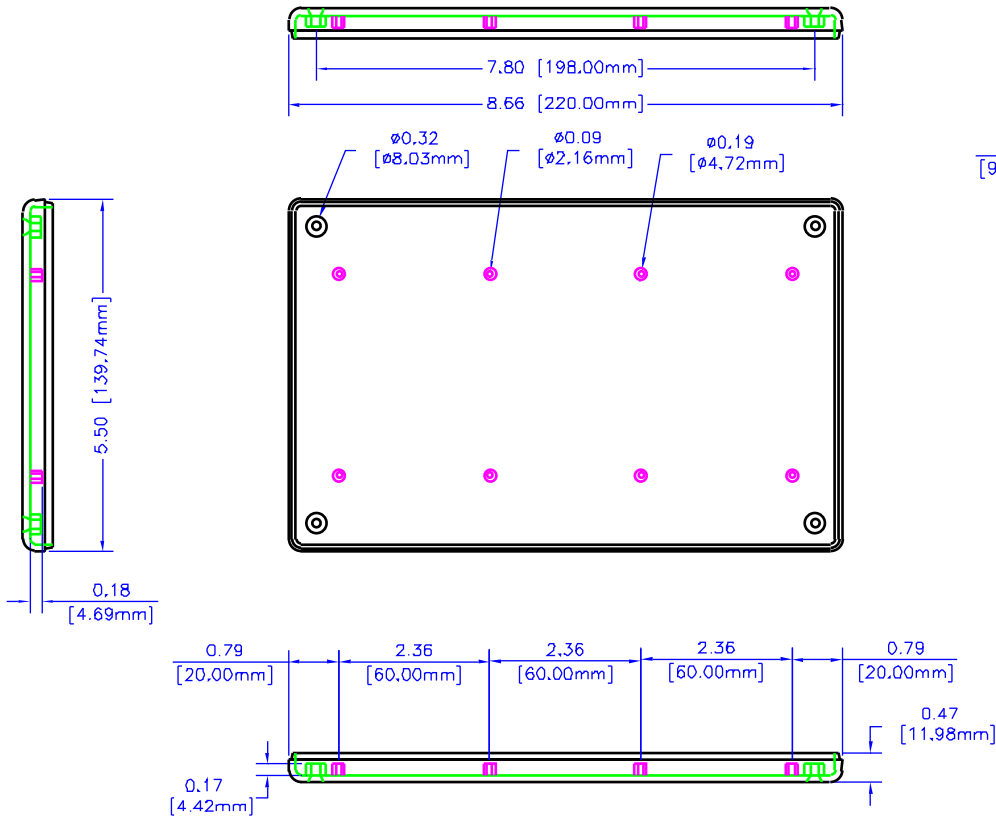


**HAMMOND  
MANUFACTURING**

WEB: [WWW.HAMMONDMFG.COM](http://WWW.HAMMONDMFG.COM)

TITLE		HAMMOND 1599 SERIES SLOPED CONSOLE	
DRAWN BY	MJM	DATE	07/03/01
SCALE		PAGE	2 OF 3
PART NUMBER	1599KTS		

# NOTES



LID

UNLESS OTHERWISE SPECIFIED  
DIMENSIONS ARE IN INCHES.  
X +/- .1  
XX +/- .02  
XXX +/- .015  
SLOTS +/- .003  
ANGLES +/- .5 DEG.  
TOLERANCE  
DRAWING CREATOR PROPRIETARY RIGHTS TO  
THE MATERIAL ON THIS DRAWING IS  
INTENDED TO BE USED AS A REFERENCE FOR  
ENGINEERING INFORMATION ONLY. THIS  
INFORMATION MAY NOT BE USED TO  
MANUFACTURE PRODUCT WITHOUT WRITTEN  
PERMISSION FROM HAMMOND MANUFACTURING.



**HAMMOND  
MANUFACTURING**

WEB: [WWW.HAMMONDMFG.COM](http://WWW.HAMMONDMFG.COM)

TITLE  
**HAMMOND 1599 SERIES  
SLOPED CONSOLE**  
DRAWN BY MJM DATE 07/03/01  
SCALE PAGE 3 OF 3  
PART NUMBER  
**1599KTS**